

# R05-AUDI TT Rear View Camera Interface

## Components



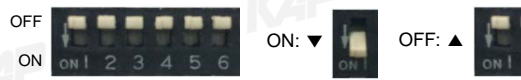
R05-AUDI TT    POWER / CAN Cable    LVDS Cable    RVC Cable    CVBS Cable

## Version Information

Model Name	R05-AUDI TT
Latest Firmware Date	13.Apr.2016
Manual Version	Rev. 2.1
Manual Release Date	13.Apr.2016

Manufactured by  
**MICROCITY**

## DIP Switch Settings



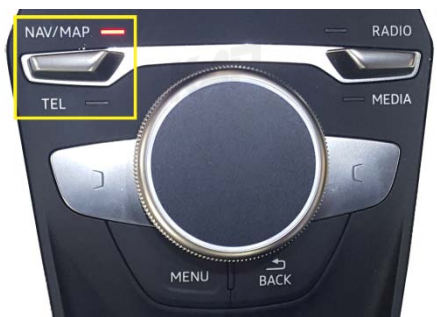
No.1	Rear View CAM	ON(▼) / OFF(▲)
No.2	Front View CAM	ON(▼) / OFF(▲)
No.3	N.C	
No.4	N.C	
No.5	Parking Line type	ON(▼) Same as A3 / OFF(▲) New One
No.6	Parking Line ON / OFF	ON(▼) / OFF(▲)

## Enter Setting menu



\* Connect **MON / PAS CAN**

## Mode Change for AUDI TT

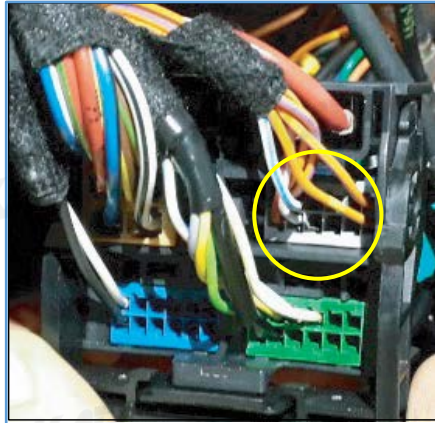


Buttons	Function
NAVI/MAP	Change the mode to FVC(AV1) (press the button 2 seconds)

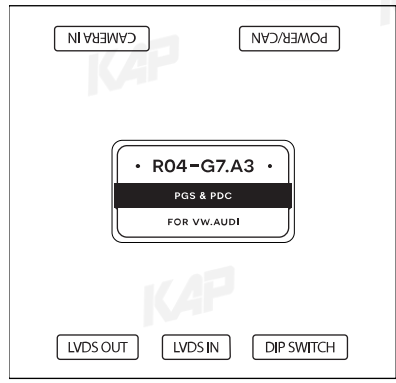
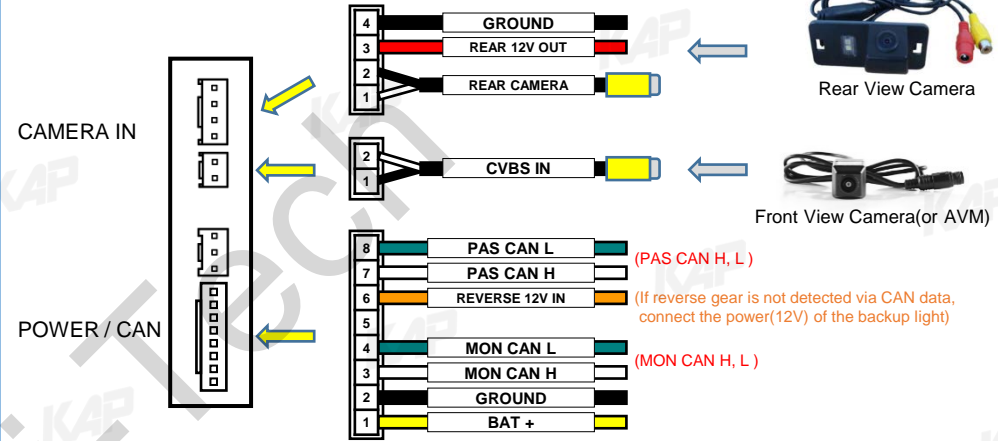
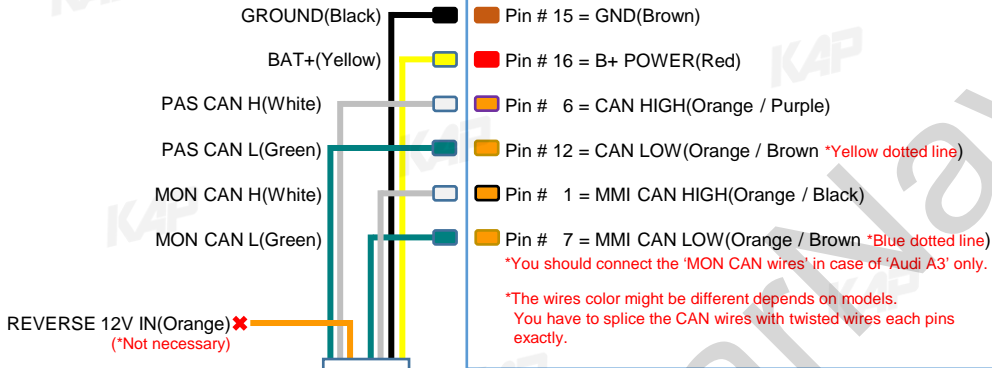
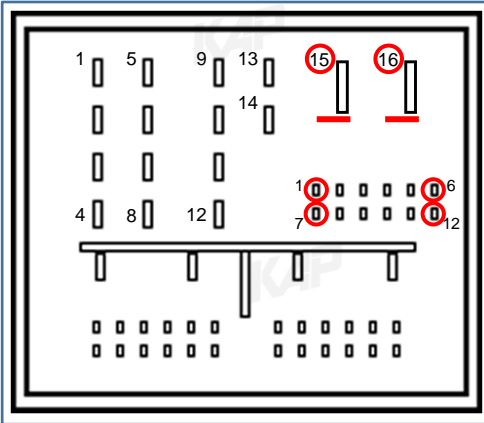
# R05-AUDI TT Rear View Camera Interface

## Installation Diagram

Head Unit(in the glovebox) – Main connector



CAN wires Information



**SUNE TECHNOLOGY CO.,LTD**  
 No.9,Lane 606,Anping Rd,Tainan City 70849,TAIWAN  
 TEL:+88662292246 FAX:+88662288104  
 Http://www.sune-tech.com  
 Shop http://www.carnavi-tech.com  
 SKYPE:sune\_tech or hsin\_han99