

1.1 Main Specification

1. Input Spec. (MULTI VIDEO INTERFACE)

- 2 x CVBS Input (External video source).
- 1 x CVBS (REAR CAMERA) Input (Rear camera source)
- 1 x Analog RGB Input (Car commander original monitor output)
- 1 x Analog RGB Input (Navigation System output)→OPTION

2. Output Spec.

- 1 x CVBS OUTPUT (Video Out for installing Headrest monitor)
- 1 x RGB OUTPUT(LCD Operation)
- 1 x Audio Select OUTPUT (For operating A/V sources – ex) 12V is come out on V1 port, when AV1 is chosen.)

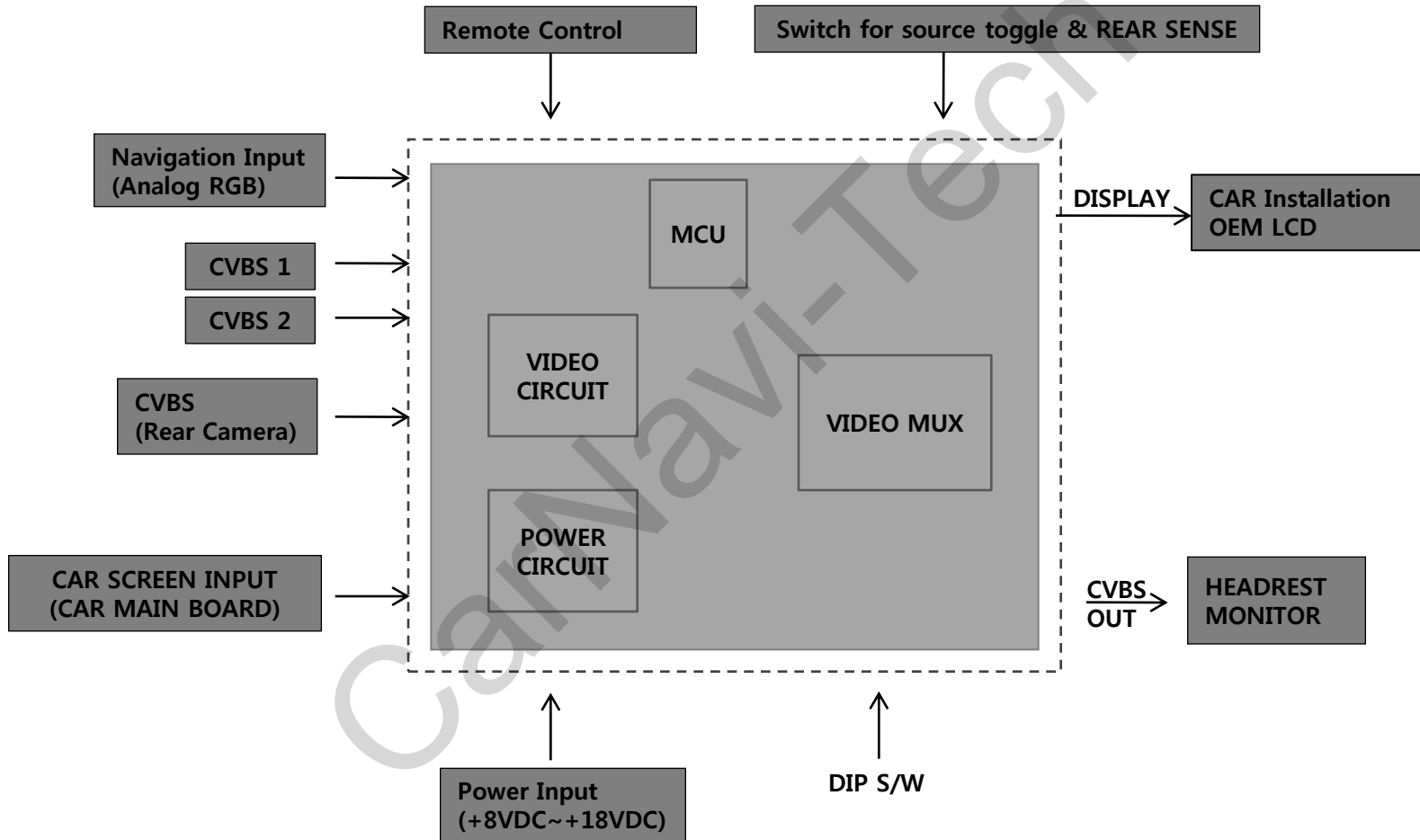
3. Power Spec.

- Input Power : 8VDC ~ 18VDC
- Consumption Power : 5WATT, Max

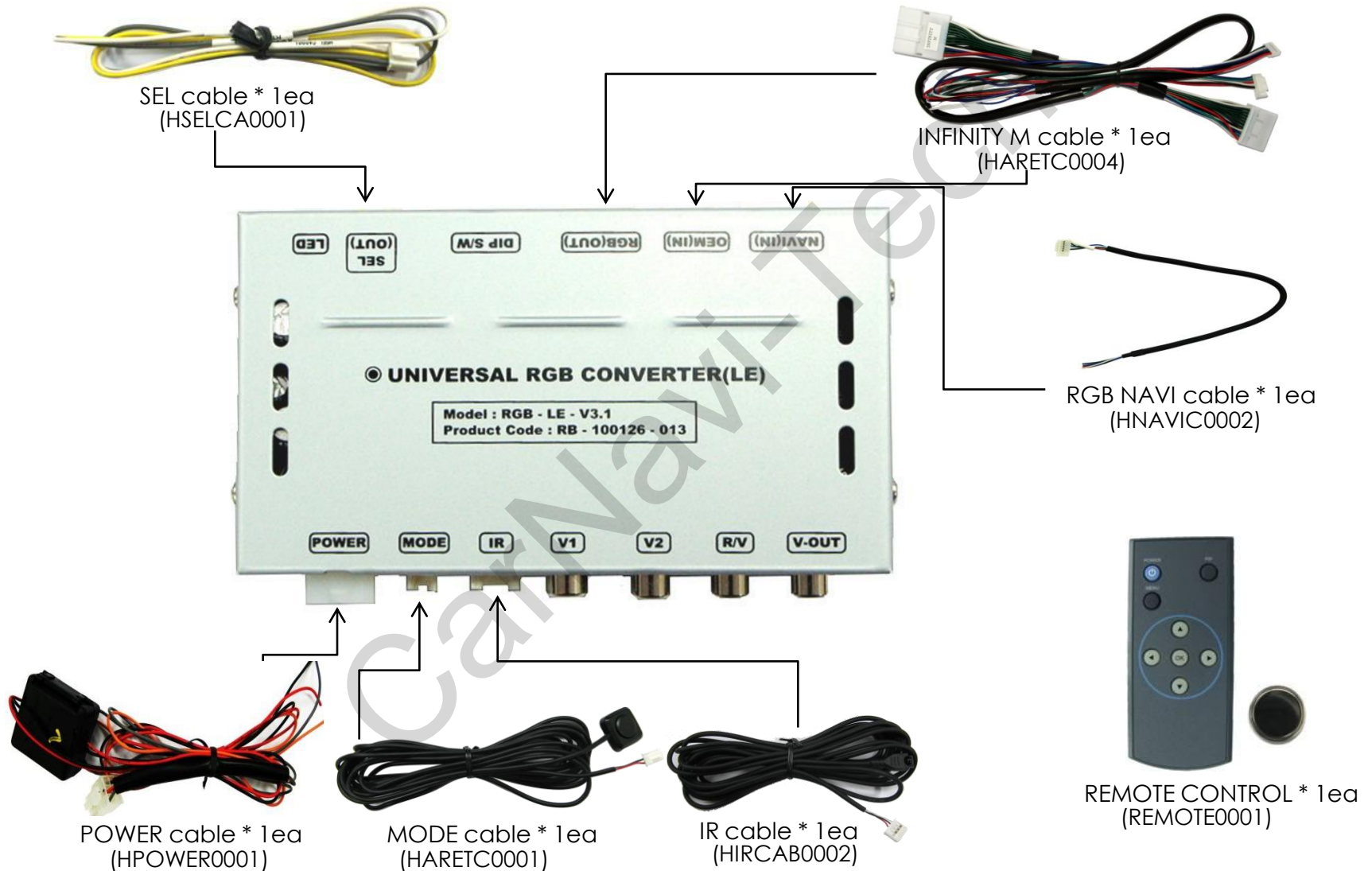
4. Switch Input mode

- NAVI/CVBS1,2 Original MUTE Function : Possible to mute each input by operating Dip S/W
- Possible to switch Input mode with remote control or toggle switch.
- Rear View Camera mode : When to sense rear gear power, be switched to Rear view camera mode
(Impossible to switch to rear mode with Toggle S/W or the Remote control)

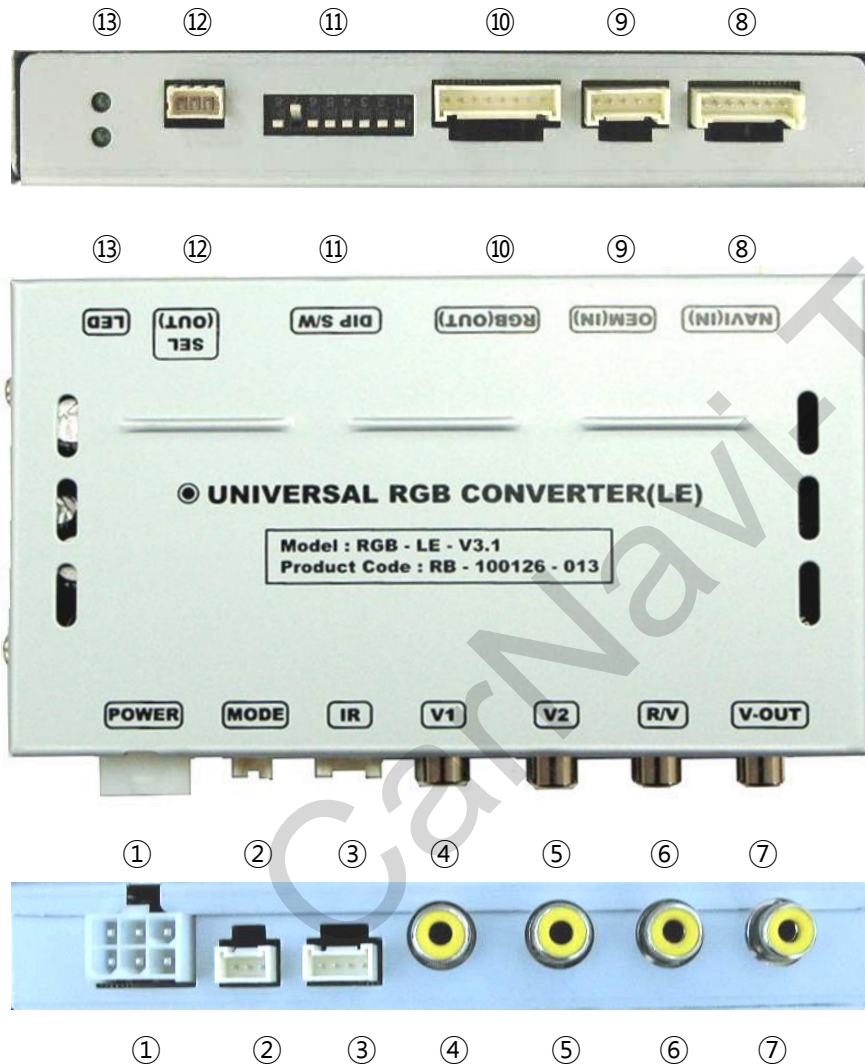
1.2 System Diagram



1.3 Components



1.4 Exterior



Dimension

Horizontal length 129mm
Vertical length 75mm
Height 21mm

- ① POWER
- ② MODE
- ③ IR
- ④ V1
- ⑤ V2
- ⑥ R/V
- ⑦ V-OUT
- ⑧ NAVI (IN)
- ⑨ OEM (IN)
- ⑩ RGB OUT
- ⑪ DIP S/W
- ⑫ AUDIO-SEL
- ⑬ LED

2.1 DIP switch

#PIN	Function	DIP S/W selection
1	RGB INPUT skip	ON : Skipping RGB Mode OFF : RGB Display
2	CVBS1 MUTE	ON : Skipping CVBS1 OFF : CVBS1 Display
3	CVBS2 MUTE	ON : Skipping CVBS2 OFF : CVBS2 Display
4	CAN	ON : When install to the Cayenne OFF : When install to all of the car
5	OEM MUTE	ON : Skipping OEM OFF : OEM Display
6	INTERLACE	ON : Non-Interlace OFF : Interlace
7	REAR MODE	ON : External Rear Camera OFF : OEM Rear Camera
8	SYNC ON GREEN	ON : Sync On Green (RGSB) OFF : Sync On Green Off

※DIP S/W Use Example

[W211]

- . Use Input Mode : CVBS1, Navigation (RGB), Main
- . Rear Camera : When to be installed on CVBS 4

- ▷ DIP S/W : 1 → OFF
- ▷ DIP S/W : 2 → OFF
- ▷ DIP S/W : 3 → ON
- ▷ DIP S/W : 4 → OFF (All of the Car except Cayenne)
- ▷ DIP S/W : 5 → OFF
- ▷ DIP S/W : 6 → OFF
- ▷ DIP S/W : 7 → ON (enable CVBS4)
- ▷ DIP S/W : 8 → OFF



* Caution

- If the displayed screen vibrates, please try to operate Dip S/W No. 6 after turning power off.

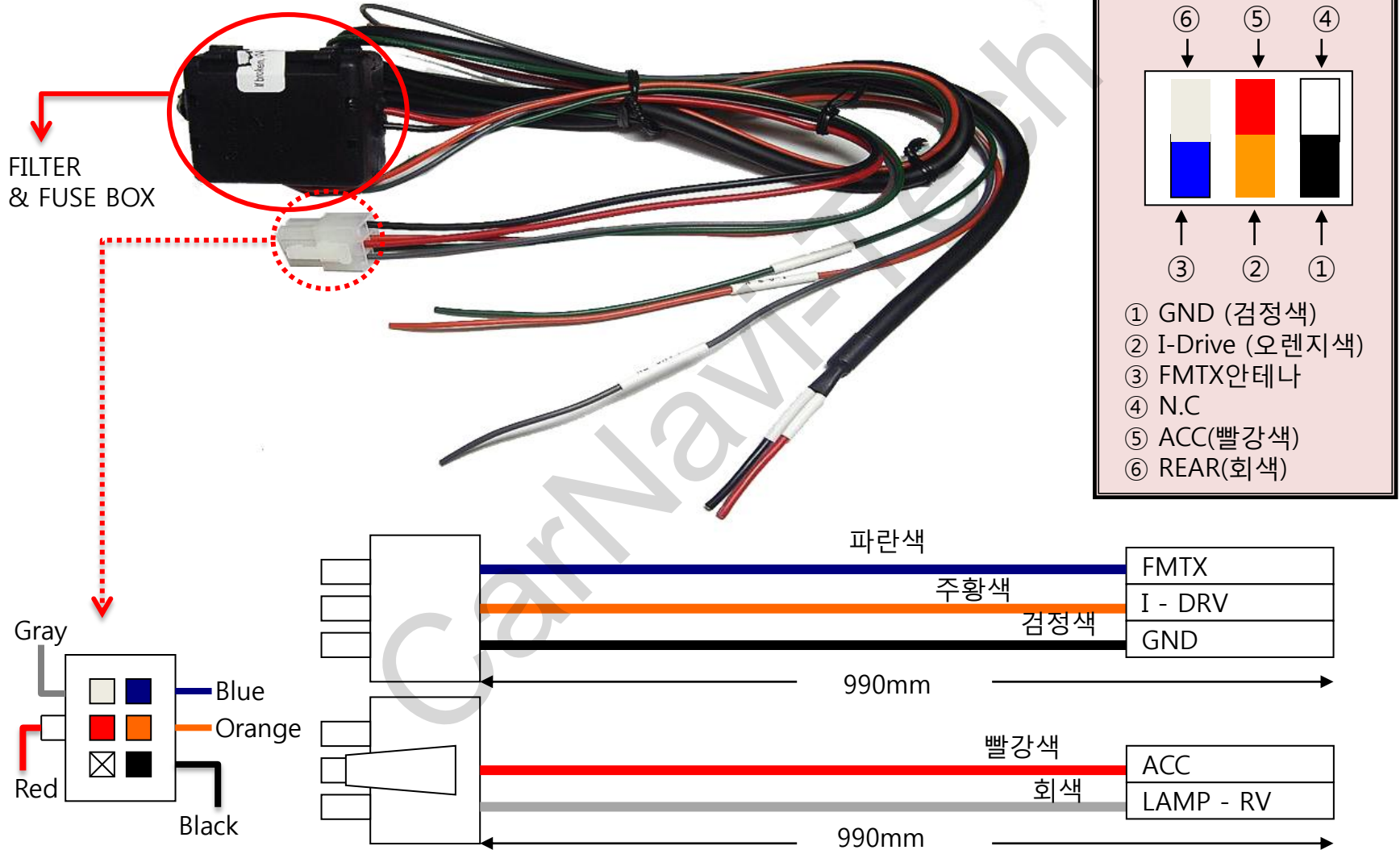
2.2 Remote controller

Key	Function
POWER & PIP	Not for use
MENU	Not for use
OK	Making a selection
▲	Move upward
▼	Move downward
◀	Move leftward
▶	Move rightward



SIZE : 85 * 40 * 8 (mm)

2.3 Power cable wiring diagram

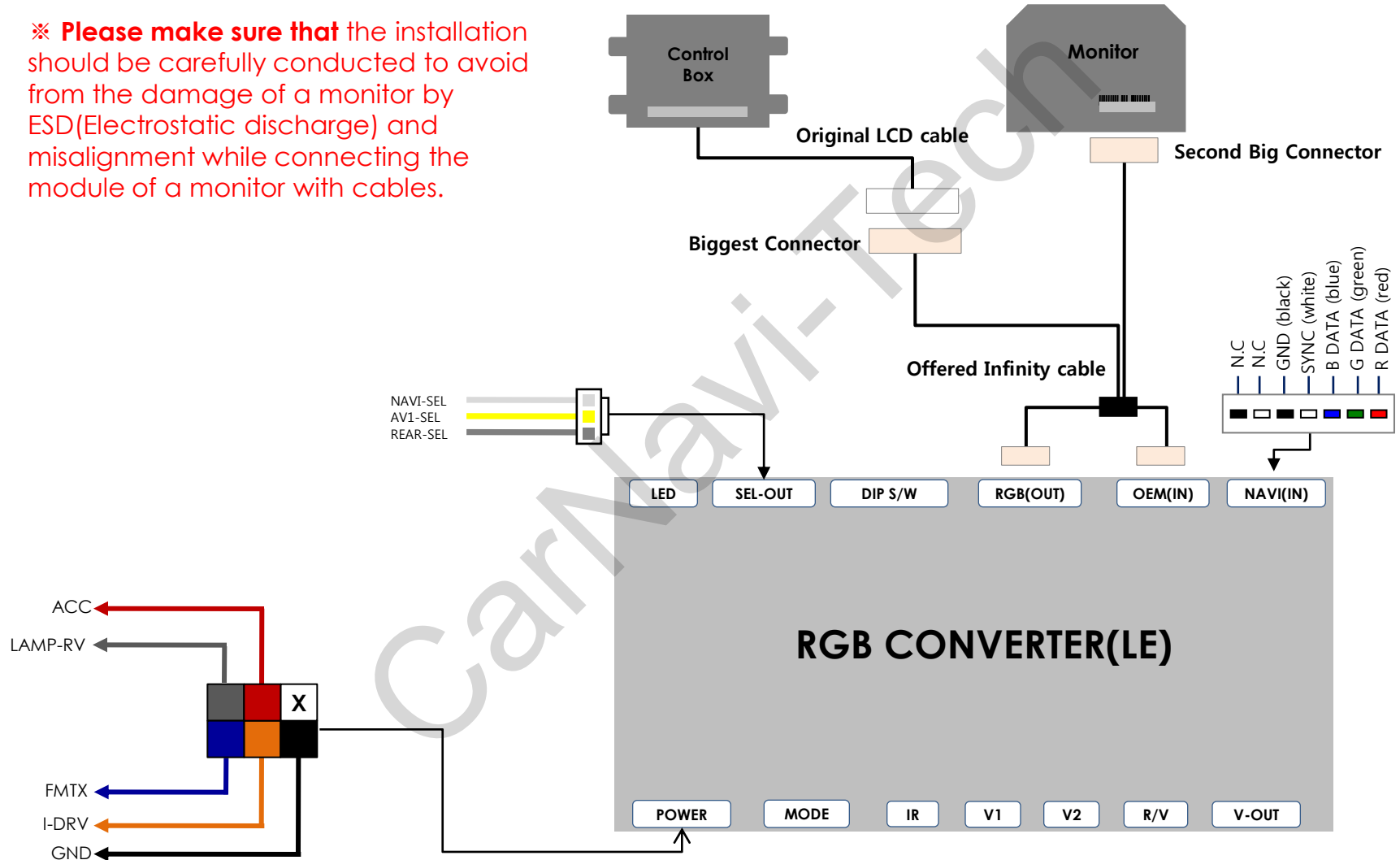


3.1 Cautions on installation

- Ignition key should be taken off before starting installation, interface power connection must be the last step in installation.
- Power cable should be separated when connecting interface.
- Should be no any electronic devices or magnetic pole around installation place.
- All steps of installation should be done by well-trained specialist.
- Dismantling without manufacturer's permission can not be guaranteed, (No permission to break attached label on the board.)
- Kindly check all parts are in the box, when receiving the product, if anything missing, inform to the supplier or manufacturer.
- According to our sales policy, any problems caused by user's mistake, careless can not be guaranteed.
- It may not work on a camera with 12V

3.2 Installation diagram

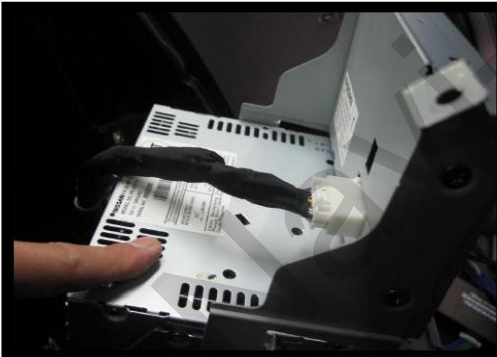
※ **Please make sure that** the installation should be carefully conducted to avoid from the damage of a monitor by ESD(Electrostatic discharge) and misalignment while connecting the module of a monitor with cables.



3.3 Installation



1. Remove the lower part using tool and pull the cover forward to remove it. Don't pull it so hard because there is RIBON Cable.



2. Unscrew the bolt and pull the monitor forward. After that, disconnect the connector on back of the LCD.



3. Connect the connector of interface and then connect DVD, DMB and NAVI.

4. Troubleshooting

1. When can not change mode.
 - Check if the IR Cable (remote control) is connected or not.
 - Check if LED is turned on or not. If it is not turned on, Check if power cable is connected or not.
 - Check if CAN is connected well.

2. When the screen is displaying only black color.
 - Check if 2nd LED is turned on or not. If it is not turned on, please check all video sources that you will connect with the interface is operating well or not.
 - Check if interface is connected well.

3. When displayed color of screen is not proper. (If it's too dark or the color is not proper)
 - Try to push "Reset button" on the remote control. If the color of screen keeps on displaying wrong color, you have to ask manufacturer for the problem.
 - Try to adjust Color, Contrast, Brightness by the remote.

4. When Back-up camera is not displayed on the screen.
 - Turn Dip S/W no.7 on.

5. When the mode you set is not skip.
 - Check if Dip S/W is set in proper way.

6. When Main screen on the car is not displayed.
 - Check if In/Out cables are connected well. If it keeps showing the same problem, you have to ask manufacturer for the problem.

7. When the screen is displaying only white color.
 - Check if out cable is connected well. If it keeps showing the same problem, you have to ask manufacturer for the problem.