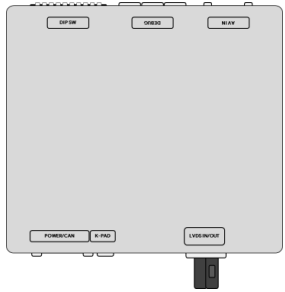


Installation Manual
REAR-NTG6

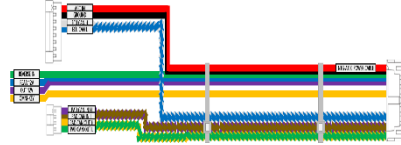


made in KOREA

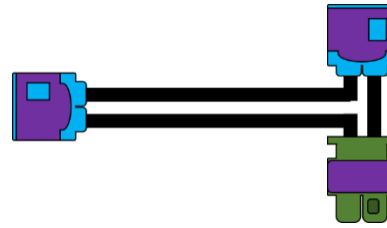
Manual Date		2019, 04, 24
Firmware Date	Main	2019, 04, 23
	Sub	2019, 04, 23
	Tw8823	2019, 04, 23



HD-NTG6



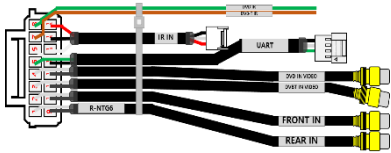
NTG6 Default-Power



NTG6 LVDS-Cable



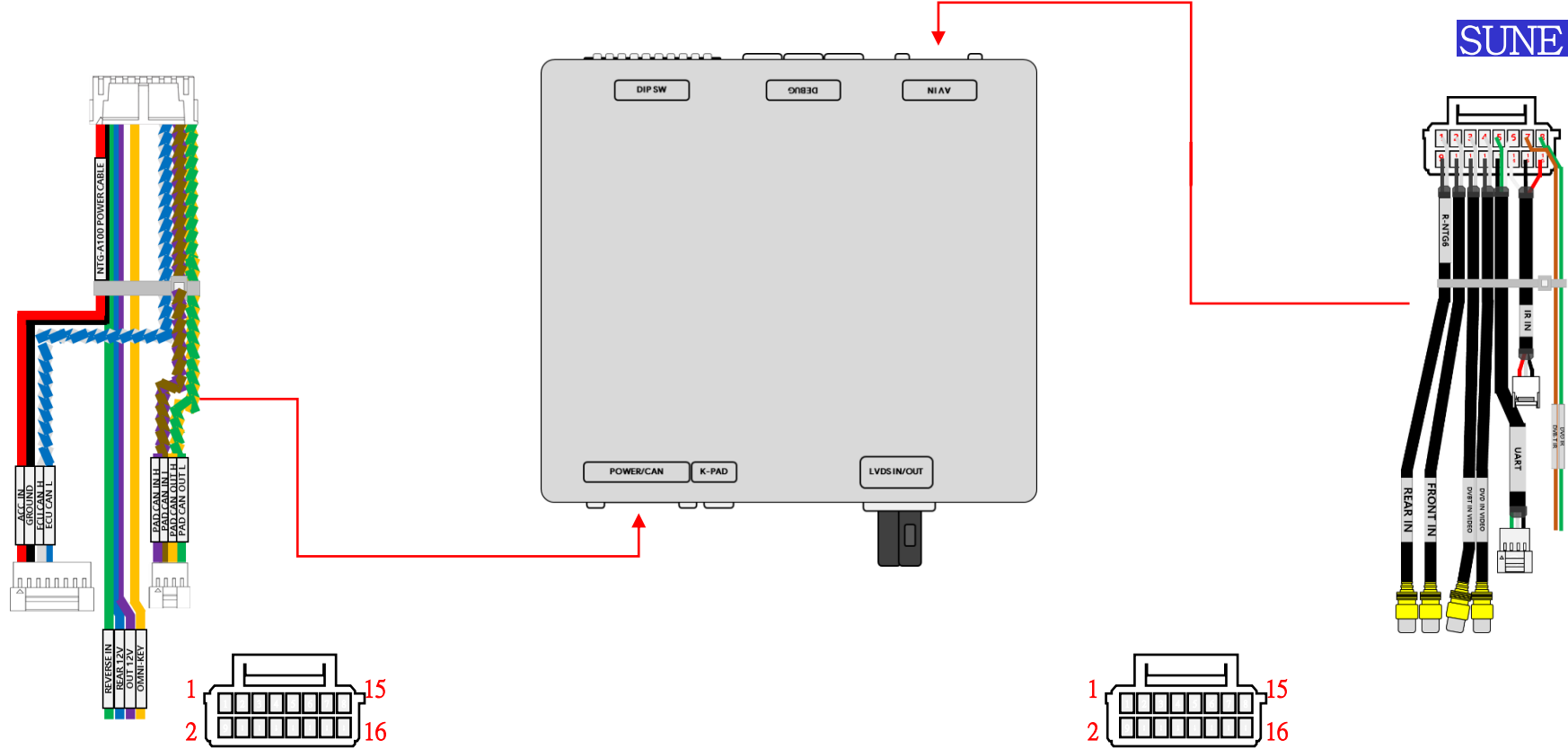
Key-Pad



R-NTG6 AV-Cable



IR - Cable



POWER / CAN			
1	ACC IN	2	Ground
3		4	
5	12V output	6	
7	Reverse input	8	Rear 12V output
9		10	Omni Key
11	ECU CAN High Input	12	ECU CAN Low Input
13	MON CAN High Input	14	MON CAN Low Input
15	MON CAN High Output	16	MON CAN Low Output

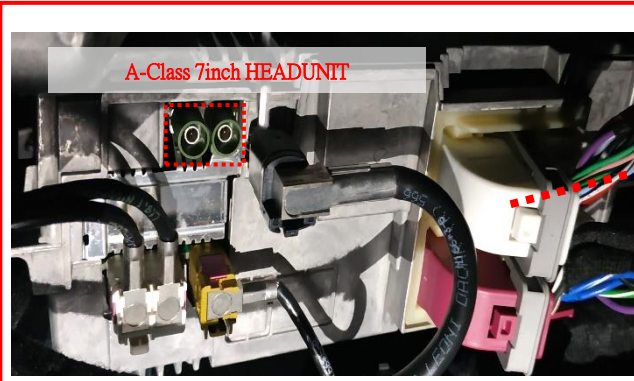
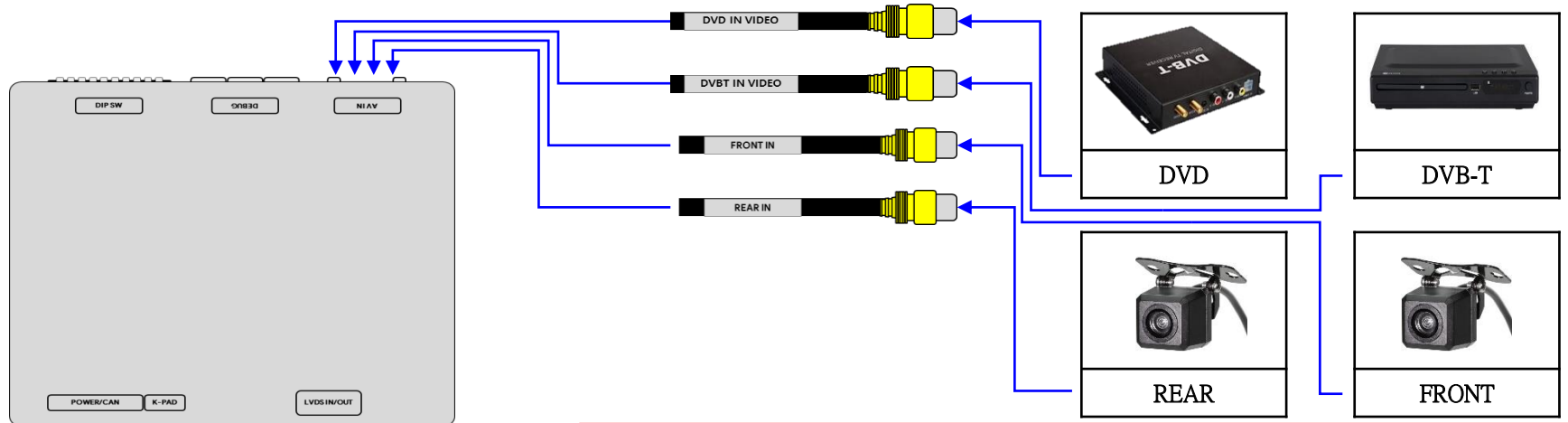
AV IN/OUT			
1	Front Camera	2	Ground
3	Rear Camera	4	Ground
5	DVB-T Video	6	Ground
7	DVD Video	8	Ground
9	UART Rx (Interface)	16	UART - Ground
11	UART Tx (Interface)	18	IR Receive - Signal
13	IR - DVB-T	20	IR Receive - Ground
15	IR - DVD	22	IR Receive - Power



Switch	OFF	ON
SW1		Used Rear Camera Input
SW2		Used Front Camera Input
SW3		Used DVB-T (CVBS) Input
SW4		Used DVD (CVBS) Input
SW5		
SW6		
SW7	List of Car Model	
SW8		
SW9		
SW10		

7	8	9	10	Model	Inch
OFF	OFF	OFF	OFF	A-Class W177 / V177	10.25
OFF	OFF	ON	OFF	A-Class W177 / V177	7
OFF	OFF	OFF	ON	C-Class C200	10.25
				E-Class W213	12.25
				E-Class W213	8.4
				S-Class W222	12.25
				C-Class W205 GLC X253 V-Class W447	8.4
				C-Class W205 GLC X253 V-Class W447	7

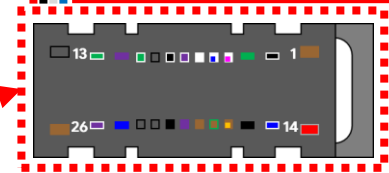
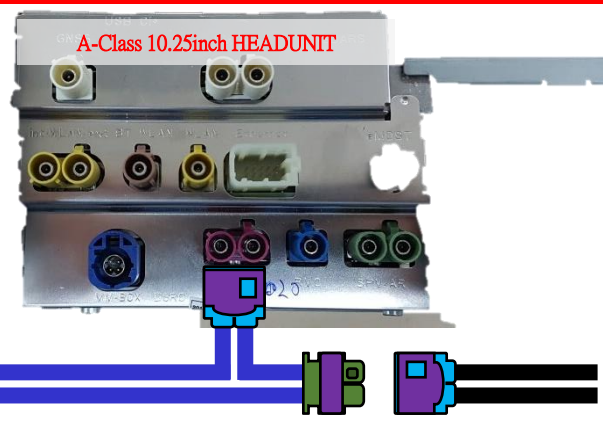
This interface is upgrading to include car model for NTG5.5



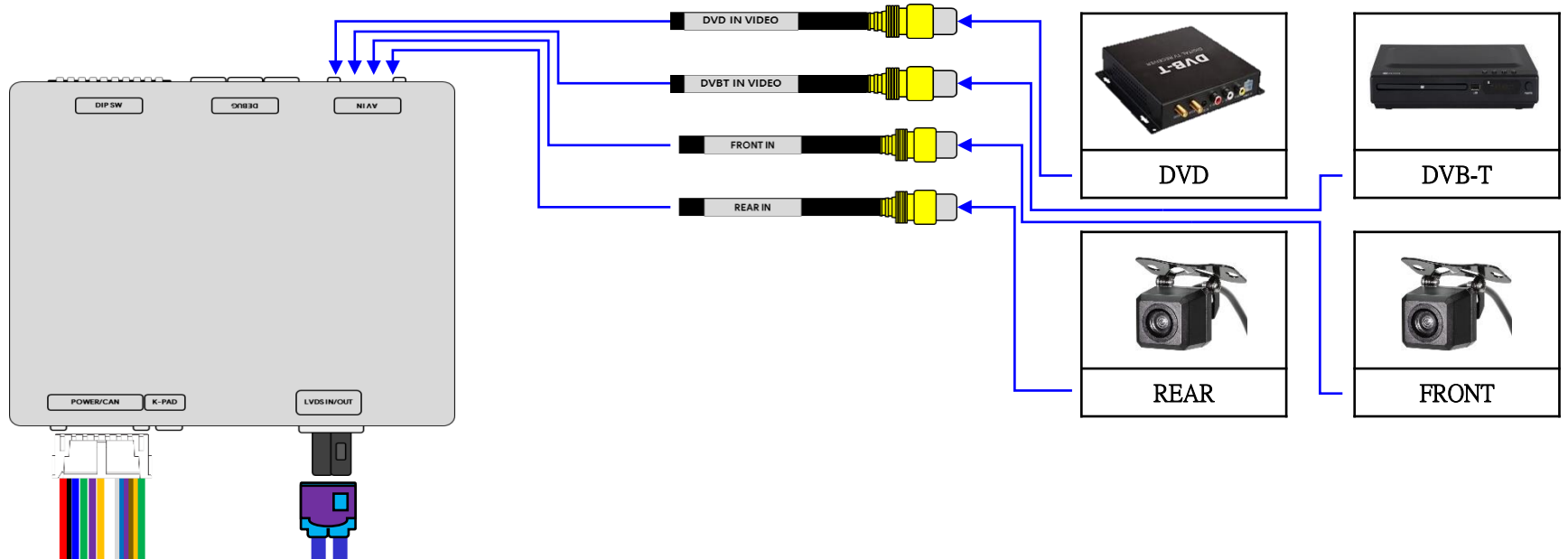
BATTERY	1	Red / gray
GROUND	6	Brown
PAS CAN H	15	Purple / white
PAS CAN L	22	Purple

PAS CAN L
PAS CAN H
GROUND
ACCIN

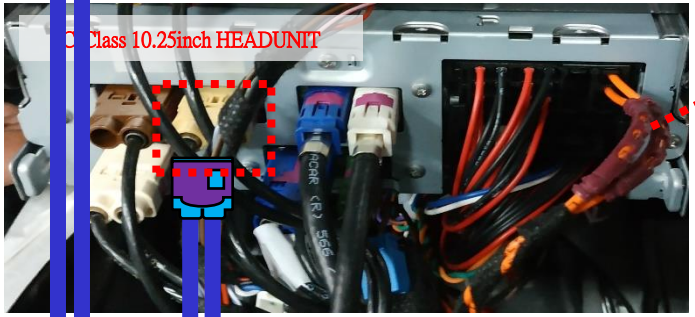
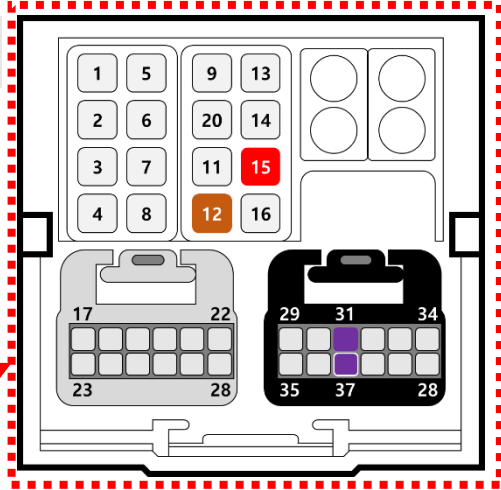
Please connect 4 wires to OEM cable behind of the HEADUNIT.



BATTERY	14	Red / gray
GROUND	1	Brown
PAS CAN H	7	Purple / white
PAS CAN L	20	Purple



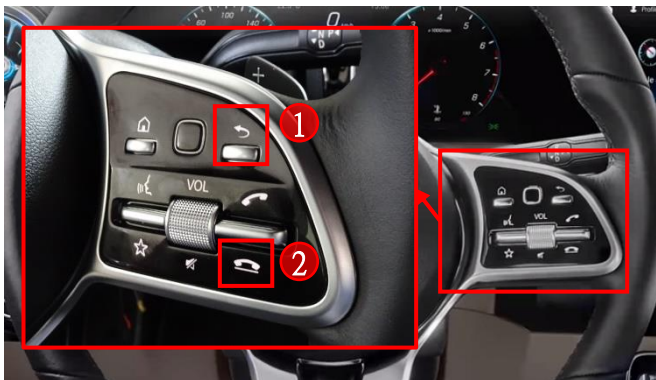
Please connect 4 wires to OEM cable behind of the HEADUNIT.



BATTERY	15	Red / gray
GROUND	12	Brown
PAS CAN H	37	Purple / white
PAS CAN L	31	Purple


A-Class 10.25inch / 7 inch

C-Class 10.25 inch



Steer Remote	How to press	Description of operation
1, Back	Press button for short time	Return back to OEM Screen form Front Screen
	Press button for 1 second	screen is switched to Front Screen
2, Hang Up	Press button for short time	Return back to OEM Screen form Interface Screen
	Press button for 1 second	Screen is switched in that order switches are activated.


1920 x 720		
HDMI	INPUT SOURCE	DEFAULT
NAVIGATION	BRIGHT	128
REAR VIEW	CONSTRAS RED	128
FRONT VIEW	CONSTRAS GREEN	128
DTV	CONSTRAS BLUE	128
DVD	PGS ON/OFF	ON / OFF
CUSTOM	PGS - HORIZONTAL	100
EXIT	PGS - VERTICAL	100
	PDC ON/OFF	ON / OFF

DIP SWITCH INFO: 

FIRMWARE DATE: MAIN: 2019, 02, 03

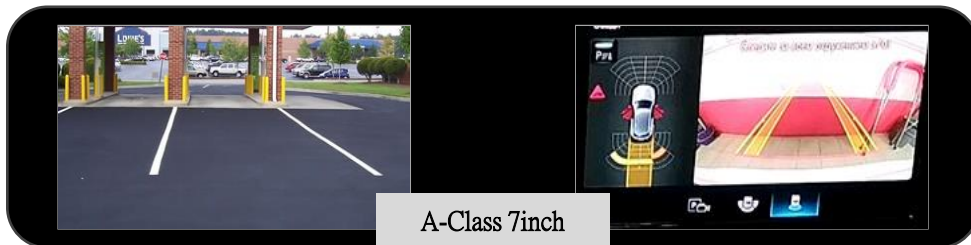
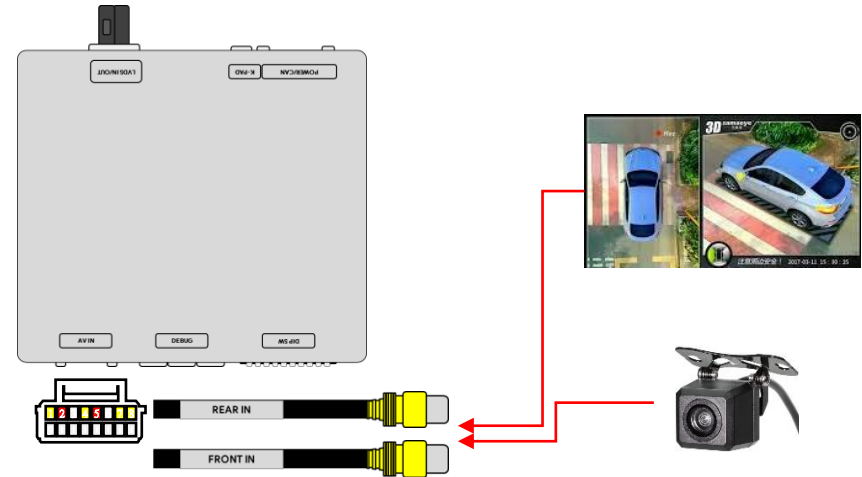
REAR CAMERA / OEM / 360 AVM

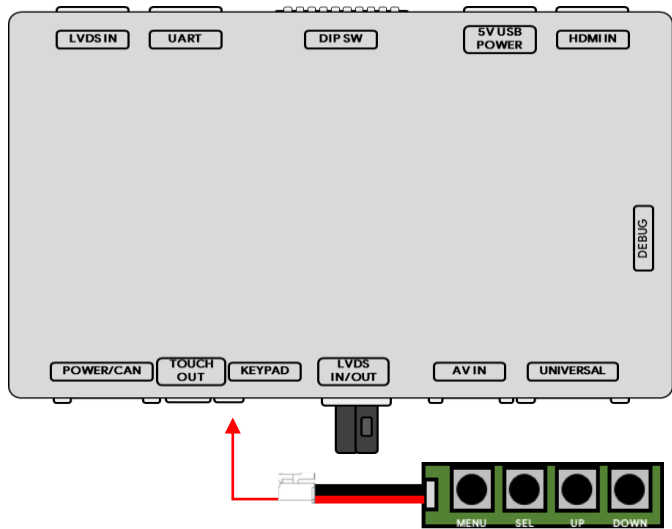
1920 x 720		
HDMI	INPUT SOURCE	EXTERNAL CAMERA
NAVIGATION	BRIGHT	128
REAR VIEW	CONSTRAS RED	128
FRONT VIEW	CONSTRAS GREEN	128
DTV	CONSTRAS BLUE	128
DVD	CAM KEEPING TIME R->D	7 sec
CUSTOM	CAM KEEPING TIME P->D	7 sec
EXIT	PDC ON/OFF	ON / OFF

DIP SWITCH INFO: 

FIRMWARE DATE: MAIN: 2019, 02, 03

FRONT CAMERA / OEM





1920 x 720

HDMI	INPUT SOURCE	DEFAULT
NAVIGATION	BRIGHT	128
REAR VIEW	CONSTRASRT RED	128
FRONT VIEW	CONSTRASRT GREEN	128
DTV	CONSTRASRT BLUE	128
DVD		
CUSTOM		
EXIT		

DIP SWITCH INFO :

FIRMWARE DATE :

MAIN : 2019, 02, 03

SUB : 2019, 02, 03

TW23 : 2019, 02, 03

	How to press	In not settings menu.	In settings menu.
MENU	Press button for 1 sec	Screen is switched in that order switches are activated.	Return back to the previous menu.
SEL	Press button for short time	Enter into the settings menu.	Select the settings menu, and values
UP			Move the menu or Increase values
	Press button for 5 sec		Enter Calibration Mode For Touch.
DOWN			Move the menu or decrease values



SUNE TECHNOLOGY CO.,LTD No.9,Lane 606,Anping Rd,Tainan
City 70849,TAIWAN TEL:+88662292246 FAX:+88662288104
Http://www.sune-tech.com
Shop <http://www.carnavi-tech.com>
SKYPE:sune_tech or hsin_han99